



**ARISTA**IPC

# Fanless Compact Computers

Datasheet Collection

[www.aristaipc.com](http://www.aristaipc.com)

# Contents

## Industrial Computers

---

### Fanless Compact Computers

MicroBox-1200A .....	03
MicroBox-7824B-C01 .....	05
MicroBox-7824B-E01/H01 .....	07
MicroBox-7824B-E02 .....	09
MiniBox-131-H01 .....	11

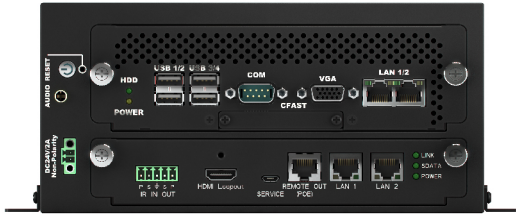


## MicroBox-1200A

Fanless Compact Industrial Computer with integrated KVM Extension Transmitter

### Features

- Computer and KVM extender all in one unit
- Extends the computer's HDMI video, RS-232, USB signals to a remote location
- Eliminates cables connection between transmitter and computer for quick deployment of event controller
- A swappable modular design providing maximum flexibility of configuration to fit highly dynamic event requirements
- Swappable modular design to obtain minimum maintenance and upgrade efforts requirement
- KVM transmitter supports PoE to power the receiver unit at a remote location
- Intel Celeron J1900 @ 1.99GHz / Atom E3845 @ 1.91GHz CPU
- Up to 8GB DDR3 / Up to 16GB DDR4 SO-DIMM
- 2.5" SSD and SATA DOM Storage Option
- Dual Gigabit Ethernet
- 1 x RS-232/422/485 BIOS Selectable
- 4 x USB 2.0



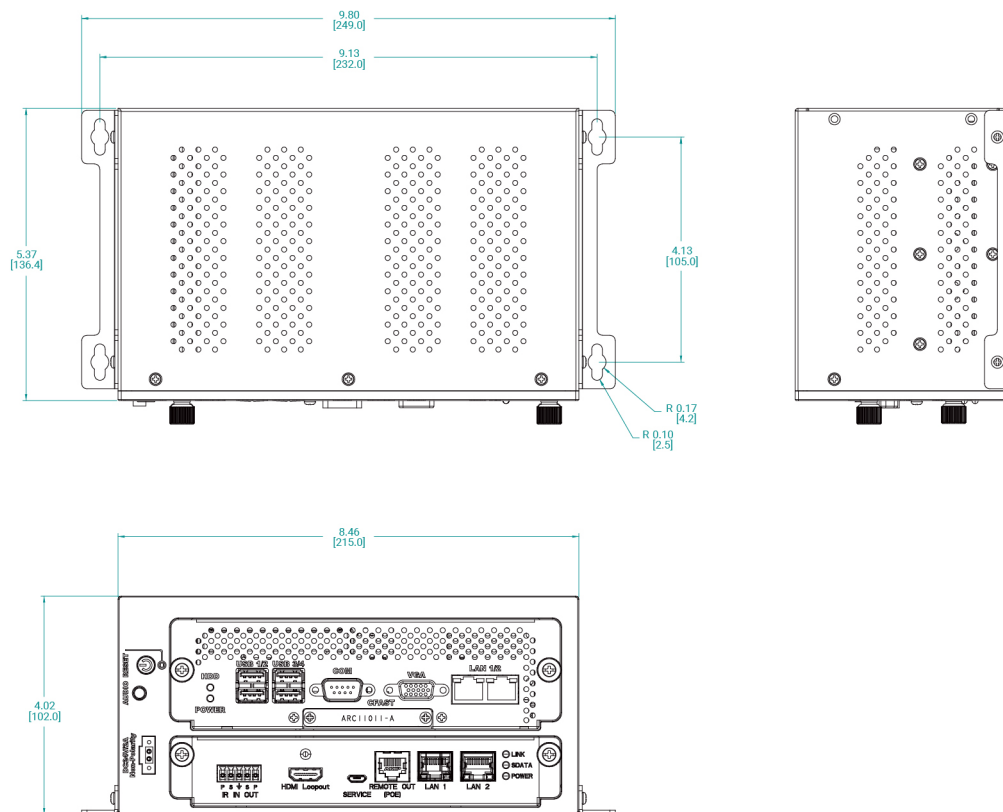
### Specifications

Model Name	MicroBox-1200A
<b>System</b>	
CPU	Intel Celeron J1900 @ 1.99GHz / Atom E3845 @ 1.91GHz CPU
Chipset	Bay Trail
Memory	up to 8GB DDR3 SO-DIMM
Video Controller	Intel Gen7 Graphics
Storage Option	2.5" SSD
Remote Boot	ThinManager Ready, PXE
<b>Local I/O Communication</b>	
Video Output	HDMI Loop out, VGA (2nd Display)
USB Port	4 x USB 2.0 (Local)
Serial Port	1x RS-232 Local
LAN	2 x Gigabit
<b>OS Support</b>	
OS Support	Windows 10
<b>Receiver I/O Communication</b>	
Video Output	HDMI
USB Port	4-port USB Hub
Serial Port	1x RS-232
LAN	2-port 10/100 Ethernet Hub
<b>Power / Thermal Specs</b>	
Power Requirement (Max)	24VDC@4.2A
Power Consumption (Max)	90W
Heat Dissipation	307BTU/hr
<b>Physical Information</b>	
Mounting	Wall Mount / DIN-Rail Mount
Net Weight	6.6 Lbs / 2.99 kgs
Dimension (W x H x D)	9.80 x 4.02 x 5.37 inch 249.0 x 102.0 x 136.4 mm
Relative Humidity	0~95%
Certification	N/A
<b>Environmental</b>	
Operating Temperature	0-50°C (32~122°F)
Storage Temperature	-20~60°C (-4~140°F)

## Dimension Drawing

Model Name: MicroBox-1200A

Size Unit: inch(mm)



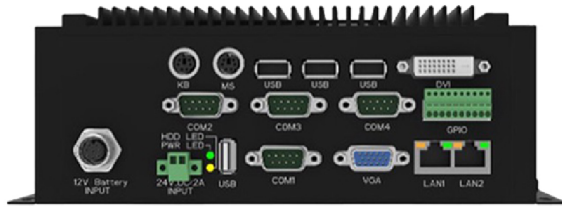
## Ordering Information

Item	MicroBox-1200A-A07-003	MicroBox-1200A-A07-031
CPU	Intel Celeron J1900 @ 1.99GHz / Atom E3845 @ 1.91GHz CPU	Intel Celeron J1900 @ 1.99GHz / Atom E3845 @ 1.91GHz CPU
Memory	4GB DDR3	8GB DDR3
Storage	N/A	2.5" SSD
Remote Boot	ThinManager Ready	N/A
KVM Extension Transmitter	A07	A07
Power Supply	110/220VAC Input DIN-Rail	110/220VAC Input DIN-Rail
Operating System	N/A	Optional



## MicroBox-7824B-C01

Fanless Compact Industrial Computer with Intel Atom N2800 CPU, Fanless, 24VDC, mPCIe Expansion Slot, Smart Battery Option



### Features

- Intel N2800 1.86GHz Dual Core Atom CPU
- Up to 4GB DDR3 SO-DIMM
- 2.5" HDD, SSD and SATA DOM Storage Option
- Dual Gigabit Ethernet
- VGA + DVI Dual Display Ports
- 4 x USB 2.0
- 1 x RS-232/422/485, 3 x RS-232
- 4-bit DI, 4-bit DO
- 24VDC Operating Input Voltage
- External Smart Battery Option

### Specifications

Model Name	MicroBox-7824B-C01
<b>System</b>	
CPU	Intel N2800 1.86GHz ATOM CPU
Chipset	NM10
Memory	Up to 4GB DDR3 SO-DIMM
Video Controller	Intel Integrated Graphic Controller
Video Interface	VGA & DVI
Storage Option	SATA DOM, 2.5" HDD, 2.5" SSD
Compact Flash	N/A
Keyboard/Mouse	USB / PS2
Audio	N/A
Watchdog Timer	YES
Remote Boot	PXE
Expansion Slot	Mini PCIe x 1
<b>I/O Communication</b>	
USB Port	4 x USB 2.0
Serial Port	1 x RS-232/422/485, 3 x RS-232
IEEE 1394	N/A
LAN	2 x Gigabit
Parallel	N/A
GPIO	4 x DI, 4x DO
<b>Smart Battery</b>	
External Smart Battery	Optional
<b>OS Support</b>	
OS Support	Win7 Pro, Win Embedded 7
<b>Power / Thermal Specs</b>	
Power Requirement (Max)	24VDC / 0.7A
Power Consumption (Max)	17 W
Recommended Power Supply	24 W
Heat Dissipation	58 BTU/hr
<b>Physical Information</b>	
Mounting	Wall Mount, DIN-Rail Mount
Net Weight	5.1 Lbs / 2.3Kg
Dimension (W x H x D)	8.84 x 3.16 x 5.50 inch 224.4 x 80.2 x 139.7 mm
IP/NEMA Rating	meets IP50
Certification	FCC, CE, UL 61010
<b>Environmental</b>	
Operating Temperature	0~50°C (32~122°F)
Storage Temperature	-20~60°C (-4~140°F)
Relative Humidity	0~95%

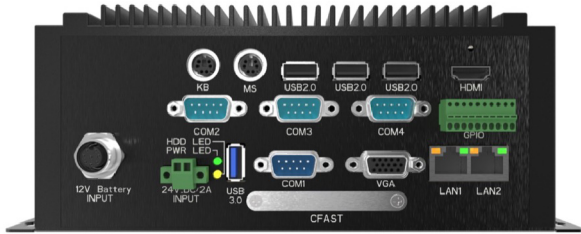
## Ordering Information

Item	MicroBox-7824B-C01-011-DR	MicroBox-7824B-C01-031-DR
CPU	N2800 ATOM CPU	N2800 ATOM CPU
Memory	4GB DDR3	4GB DDR3
Storage	2.5" SATA HDD	2.5" SATA SSD
Remote Boot	N/A	N/A
Power Supply	110/220VAC Input DIN-Rail	110/220VAC Input DIN-Rail
Operating System	Optional	Optional



## MicroBox-7824B-E01/H01

Fanless Compact Computer with Intel Celeron J1900 @ 1.99GHz / Atom E3845 @ 1.91GHz CPU, Intel i7-6600U CPU, Fanless, 24VDC



### Features

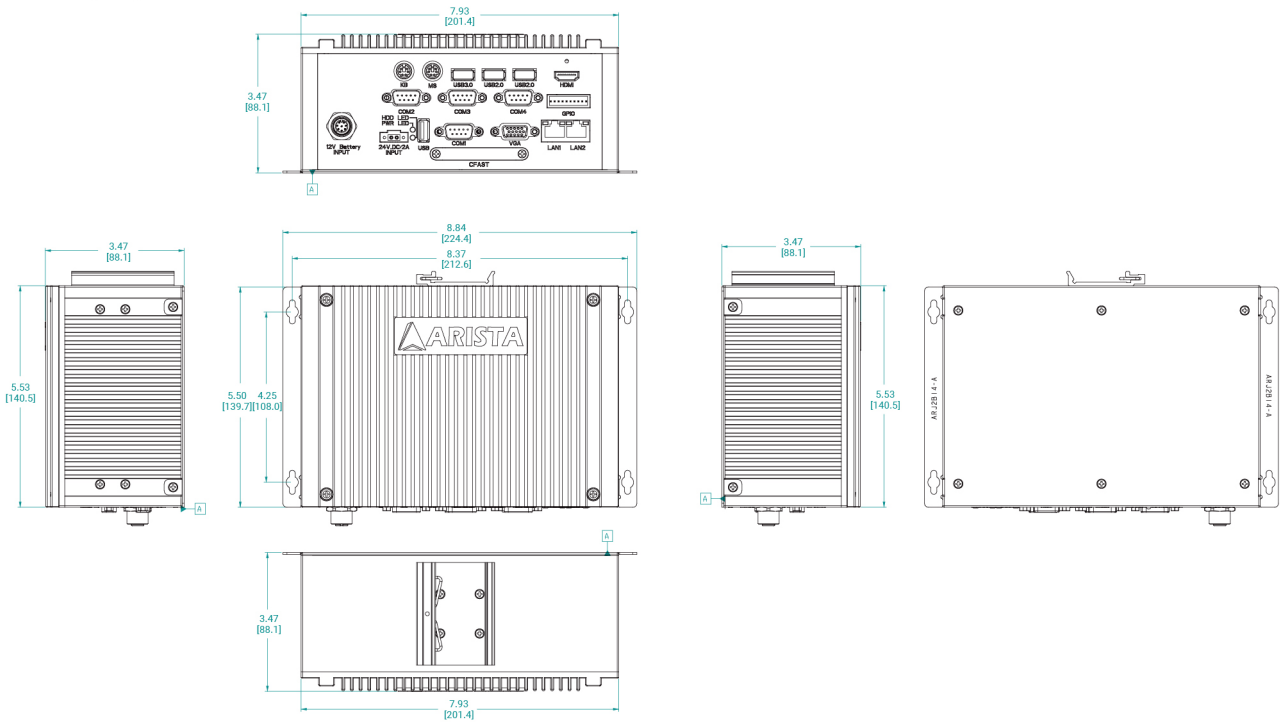
- Intel Celeron J1900 @ 1.99GHz / Atom E3845 @ 1.91GHz CPU; Intel i7-6600U CPU
- Up to 8GB DDR3 / Up to 16GB DDR4 SO-DIMM
- 2.5" SSD and SATA DOM Storage Option
- Dual Gigabit Ethernet
- VGA + HDMI Dual Display Ports
- 4 x RS-232/422/485 BIOS Selectable
- 1 x USB 3.0, 3 x USB 2.0
- 4-bit DI, 4-bit DO
- 24VDC Operating Input Voltage
- External Smart Battery Option

### Specifications

Model Name	MicroBox-7824B-E01	MicroBox-7824B-H01
<b>System</b>		
CPU	Intel Celeron J1900 @ 1.99GHz / Atom E3845 @ 1.91GHz CPU	Intel i7-6600U CPU
Chipset	Bay Trail	Skylake
Memory	Up to 8GB DDR3 SO-DIMM	Up to 16GB DDR4 SO-DIMM
Video Controller	Intel Gen7 Intel Graphics DX 11, OGL3.2	Intel HD Graphics 520
Video Interface	VGA & HDMI	VGA & HDMI
Storage Option	2.5" SSD	2.5" SSD
CFast	Optional	Optional
Keyboard/Mouse	USB / PS2	USB / PS2
Audio	N/A	N/A
Watchdog Timer	YES	YES
Remote Boot	ThinManager Ready, PXE	PXE
Expansion Slot	Mini PCIe x 2	Mini PCIe x 1
<b>I/O Communication</b>		
USB Port	1 x USB 3.0, 3 x USB 2.0	1 x USB 3.0, 3 x USB 2.0
Serial Port	4 x RS-232/422/485 BIOS Selectable	4 x RS-232/422/485 BIOS Selectable
IEEE 1394	N/A	N/A
LAN	2 x Gigabit	2 x Gigabit
Parallel	N/A	N/A
GPIO	4 x DI, 4x DO	4 x DI, 4x DO
<b>Smart Battery</b>		
External Smart Battery	Optional	Optional
<b>OS Support</b>		
OS Support	Windows 7 & 10	Windows 10
<b>Power / Thermal Specs</b>		
Power Requirement (Max)	24VDC / 0.7A	24VDC / 2.0A
Power Consumption (Max)	17 W	48 W
Recommended Power Supply	24 W	68 W
Heat Dissipation	58 BTU/hr	164 BTU/hr
<b>Physical Information</b>		
Mounting	Wall Mount, DIN-Rail Mount	Wall Mount, DIN-Rail Mount
Net Weight	5.1 Lbs / 2.3Kg	5.1 Lbs / 2.3Kg
Dimension (W x H x D)	8.83 x 3.47 x 5.50 inch 224.4 x 80.2 x 139.7 mm	8.83 x 3.47 x 5.50 inch 224.4 x 80.2 x 139.7 mm
IP/NEMA Rating	meets IP50	meets IP50
Certification	FCC, CE, UL 61010	UL 61010
<b>Environmental</b>		
Operating Temperature	0~50°C (32~122°F)	0~50°C (32~122°F)
Storage Temperature	-20~60°C (-4~140°F)	-20~60°C (-4~140°F)
Relative Humidity	0~95%	0~95%

## Dimension Drawing

Model Name: MicroBox-7824B-E01  
 Size Unit: inch(mm)



## Ordering Information

Item	MicroBox-7824B-E01-003-DR	MicroBox-7824B-E01-P03-DR
CPU	Intel Celeron J1900 @ 1.99GHz / Atom E3845 @ 1.91GHz CPU	Intel Celeron J1900 @ 1.99GHz / Atom E3845 @ 1.91GHz CPU
Memory	4GB DDR3	4GB DDR3
Storage	N/A	N/A
Remote Boot	ThinManager Ready	PXE
Power Supply	110/220VAC Input DIN-Rail	110/220VAC Input DIN-Rail
Operating System	N/A	N/A

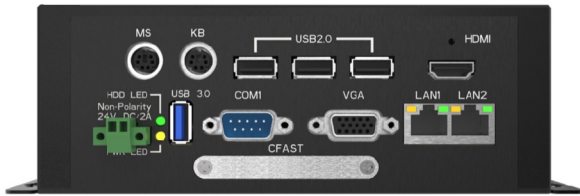
Item	MicroBox-7824B-E01-031-DR	MicroBox-7824B-H01-031-700-DR
CPU	Intel Celeron J1900 @ 1.99GHz / Atom E3845 @ 1.91GHz CPU	Intel i7-6600U CPU
Memory	8GB DDR3	16GB DDR3
Storage	2.5" SATA SSD	2.5" SATA SSD
Remote Boot	N/A	N/A
Power Supply	110/220VAC Input DIN-Rail	110/220VAC Input DIN-Rail
Operating System	Optional	Optional





## MicroBox-7824B-E02

Fanless Compact Industrial Computer with Intel Celeron J1900 @ 1.99GHz / Atom E3845 @ 1.91GHz CPU, Fanless, 24VDC, mPCIe Expansion Slot



### Features

- Intel Celeron J1900 @ 1.99GHz / Atom E3845 @ 1.91GHz CPU
- Up to 8GB DDR3 SO-DIMM
- 2.5" HDD, SSD, SATA DOM, CFAST Storage Option
- Dual Gigabit Ethernet
- VGA + HDMI Dual Display Ports
- 1 x RS-232/422/485 BIOS Selectable
- 1 x USB 3.0, 3 x USB 2.0/ 1 x USB 3.0, 6 x USB 2.0 (A00)
- 24VDC Operating Input Voltage
- Line out, Mic in (A00)

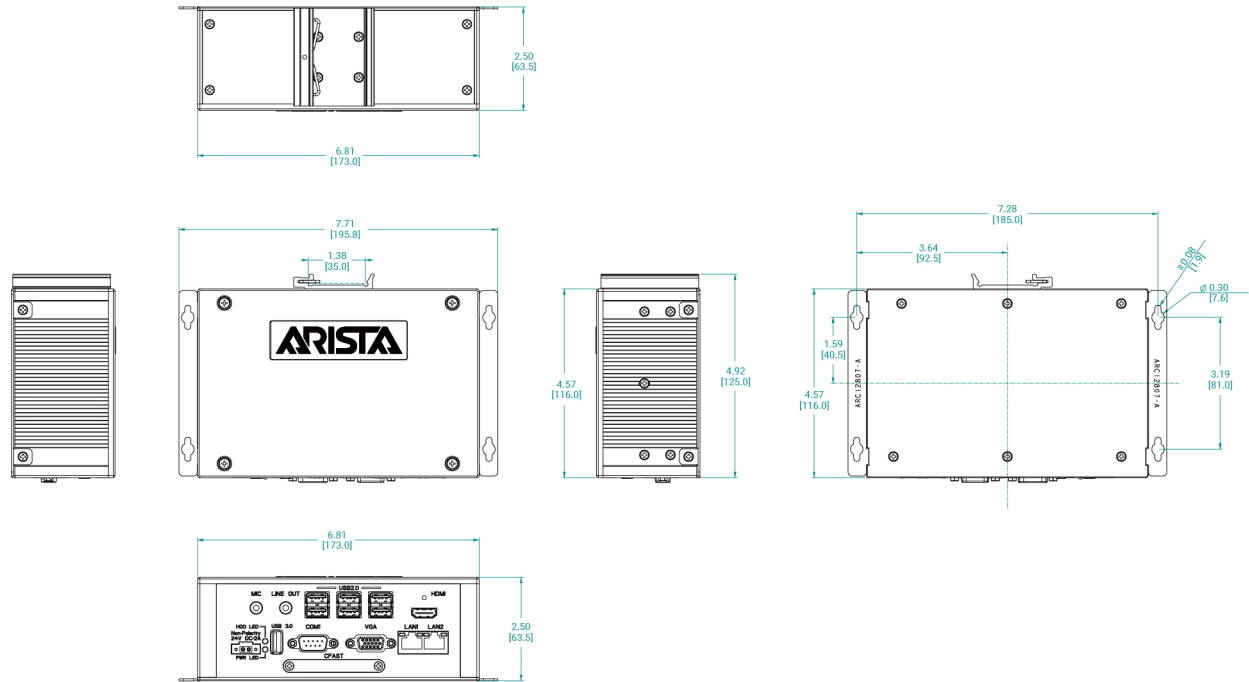
### Specifications

Model Name	MicroBox-7824B-E02	MicroBox-7824B-E02-A00
<b>System</b>		
CPU	Intel Celeron J1900 @ 1.99GHz / Atom E3845 @ 1.91GHz CPU	Intel Celeron J1900 @ 1.99GHz / Atom E3845 @ 1.91GHz CPU
Chipset	Bay Trail	Bay Trail
Memory	Up to 8GB DDR3 SO-DIMM	Up to 8GB DDR3 SO-DIMM
Video Controller	Intel Gen7 Intel Graphics DX 11, OGL3.2	Intel Gen7 Intel Graphics DX 11, OGL3.2
Video Interface	VGA & HDMI	VGA & HDMI
Storage Option	SATA DOM, 2.5" HDD, 2.5" SSD, CFAST Card	SATA DOM, 2.5" HDD, 2.5" SSD, CFAST Card
Compact Flash	N/A	N/A
Keyboard/Mouse	USB / PS2	USB
Audio	N/A	Line Out, Mic In
Watchdog Timer	YES	YES
Remote Boot	ThinManager Ready, PXE	ThinManager Ready, PXE
Expansion Slot	Mini PCIe x 2	Mini PCIe x 2
<b>I/O Communication</b>		
USB Port	1 x USB 3.0, 3 x USB 2.0	1 x USB 3.0, 6 x USB 2.0
Serial Port	1 x RS-232/422/485 BIOS Selectable	1 x RS-232/422/485 BIOS Selectable
IEEE 1394	N/A	N/A
LAN	2 x Gigabit	2 x Gigabit
Parallel	N/A	N/A
GPIO	N/A	N/A
<b>Smart Battery</b>		
External Smart Battery	N/A	N/A
<b>OS Support</b>		
OS Support	Windows 7 & up	Windows 7 & up
<b>Power / Thermal Specs</b>		
Power Requirement (Max)	24VDC / 0.7A	24VDC / 0.7A
Power Consumption (Max)	17 W	17 W
Recommended Power Supply	24 W	24 W
Heat Dissipation	58 BTU/hr	58 BTU/hr
<b>Physical Information</b>		
Mounting	Wall Mount, DIN-Rail Mount	Wall Mount, DIN-Rail Mount
Net Weight	--	--
Dimension (W x H x D)	7.71 x 2.50 x 4.59 inch 195.8 x 63.5 x 116.5 mm	7.71 x 2.50 x 4.59 inch 195.8 x 63.5 x 116.5 mm
IP/NEMA Rating	meets IP50	meets IP50
Certification	FCC, CE, UL 61010	FCC, CE, UL 61010
<b>Environmental</b>		
Operating Temperature	0~50°C (32~122°F)	0~50°C (32~122°F)
Storage Temperature	-20~60°C (-4~140°F)	-20~60°C (-4~140°F)
Relative Humidity	0~95%	0~95%

## Dimension Drawing

Model Name: MicroBox-7824B-E02

Size Unit: inch(mm)



## Ordering Information

Item	MicroBox-7824B-E02-003-DR	MicroBox-7824B-E02-P03-DR	MicroBox-7824B-E02-031-DR
CPU	Intel Celeron J1900 @ 1.99GHz / Atom E3845 @ 1.91GHz CPU	Intel Celeron J1900 @ 1.99GHz / Atom E3845 @ 1.91GHz CPU	Intel Celeron J1900 @ 1.99GHz / Atom E3845 @ 1.91GHz CPU
Memory	4GB DDR3	4GB DDR3	8GB DDR3
Storage	N/A	N/A	2.5" SATA SSD
Remote Boot	ThinManager Ready	PXE	N/A
Power Supply	110/220VAC Input DIN-Rail	110/220VAC Input DIN-Rail	110/220VAC Input DIN-Rail
Operating System	N/A	N/A	Optional

Item	MicroBox-7824B-E02-A03-DR	MicroBox-7824B-E02-A31-DR
CPU	Intel Celeron J1900 @ 1.99GHz / Atom E3845 @ 1.91GHz CPU	Intel Celeron J1900 @ 1.99GHz / Atom E3845 @ 1.91GHz CPU
Memory	4GB DDR3	8GB DDR3
Storage	N/A	2.5" SATA SSD
Audio	Line out, Mic in	Line out, Mic in
Remote Boot	ThinManager Ready	N/A
Power Supply	110/220VAC Input DIN-Rail	110/220VAC Input DIN-Rail
Operating System	N/A	Optional



## MiniBox-131-H01

Expandable Fanless Computer with Intel Celeron 3955U @ 2.00GHz, Fanless, 12VDC, mPCIe Expansion Slot



### Features

- Intel Celeron 3955U @ 2.00GHz
- Up to 32GB DDR4 SO-DIMM Memory
- Optional 2.5" SSD
- Dual Gigabit LAN
- 6 x USB (4x USB 3.0, 2 x USB 2.0)
- Mini PCIe Expansion Slot
- ThinManager Ready, PXE Boot
- 12VDC Operating Input Voltage
- Wall Mount
- Fanless & Expandable

### Specifications

Model Name	MiniBox-131-H01
<b>System</b>	
CPU	Intel Celeron 3955U @ 2.00GHz
Chipset	Skylake
Memory	Up to 32GB DDR4 SO-DIMM
Video Controller	Intel HD Graphics 520
Video Interface	Three HDMI 4K/30
Storage Option	Optional 2.5" SSD
CFast	Optional
Keyboard/Mouse	USB
Audio	Mic In, Line Out
Watchdog Timer	Yes
Remote Boot	ThinManager Ready, PXE
Expansion Slot	Mini PCIe x 1
<b>I/O Communication</b>	
USB Port	6 x USB (4x USB 3.0, 2 x USB 2.0)
Serial Port	N/A
IEEE 1394	N/A
LAN	2 x Gigabit
Parallel	N/A
GPIO	N/A
<b>Smart Battery</b>	
External Smart Battery	N/A
<b>OS Support</b>	
OS Support	Windows 10
<b>Power / Thermal Specs</b>	
Power Requirement (Max)	12VDC / 1.75A
Power Consumption (Max)	21 W
Recommended Power Supply	30 W
Heat Dissipation	72 BTU/Hr
<b>Physical Information</b>	
Mounting	Wall Mount
New Weight	3.4 Lbs / 1.5 Kg
Dimension (W x H x D)	9.44 x 1.97 x 7.52 inch 239.9 x 50 x 191 mm
IP/NEMA Rating	N/A
Certification	N/A
<b>Environmental</b>	
Operating Temperature	0~50°C (32~122°F)
Storage Temperature	-20~60°C (-4~140°F)
Relative Humidity	0% to 95%


## Ordering Information

Item	MiniBox-131-H01-003	MiniBox-131-H01-031-700
CPU	Intel Celeron 3955U @ 2.00GHz	i7-6600U
Memory	4GB DDR4	32GB DDR4
Storage	N/A	2.5" SSD
Remote Boot	ThinManager Ready	N/A
Power Supply	110/220VAC Input, 12VDC Output Adaptor	110/220VAC Input, 12VDC Output Adaptor
Operating System	N/A	Option



**ARISTA Corporation (USA)**

 48460 Lakeview Blvd, Fremont, CA 94538

 Phone : +1-510-226-1800  eFax : 510-405-8437

 sales@goarista.com  www.aristaipc.com